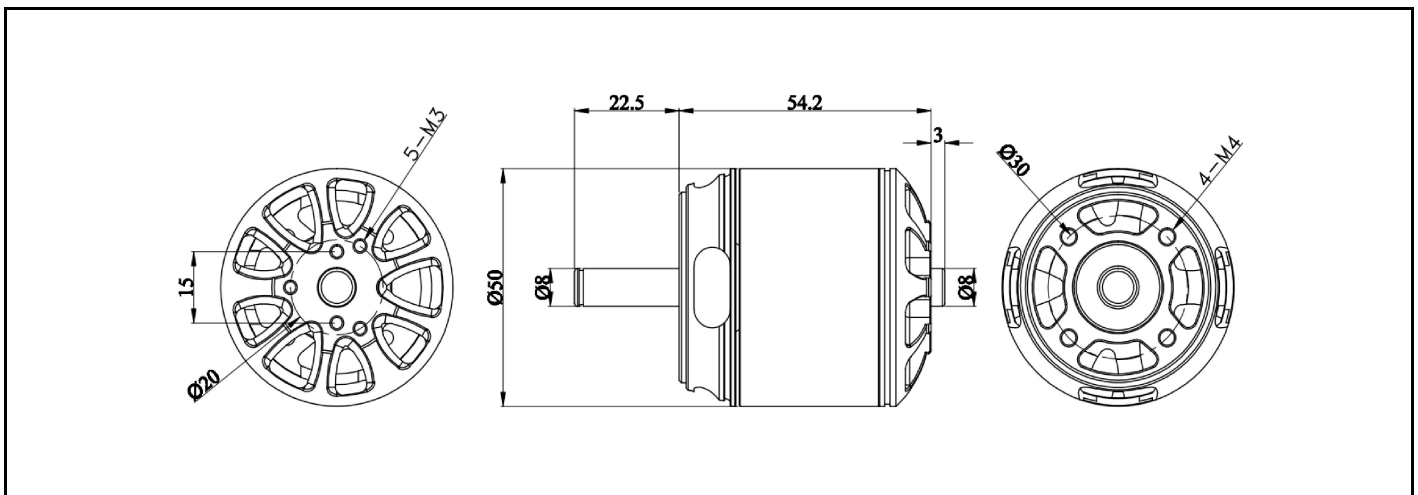


Flash Hobby Arthur EVO 5055 Motor

KV value	KV500	Weight (Incl.cable)	359g
Motor	φ50 x 54.2mm	Internal Resistance	0.024Ω
Motor Cable	90mm	Configuration	12N/14P
Shaft	8mm	Rated Voltage (Lipo)	3-6S
Idle Current	3.95/24V	Peak Current (60S)	122.37A
Max Power	2855W	Prop Mount Shaft Dia.	5-M3
Max Pull	8610G	Dynamic balance control standard	≤3mg

MOTOR OUTLINES:



Item NO.	Prop	Throttle	Volts (V)	Watts (W)	Revolution (RPM)	Thrust (g)	Efficiency (g/W)	Operating temperature(°C)
EVO 5055-500KV	15X8	50%	25.15	311.63	5932	1777	5.70	34.70
		60%	24.59	503.57	6887	2581	5.13	36.20
		70%	24.39	835.68	7788	3405	4.07	36.20
		80%	24.79	1368.18	8810	4452	3.25	37.20
		90%	24.33	1839.40	9406	5167	2.81	38.80
		100%	23.68	2309.30	9854	7050	3.05	40.50
EVO 5055-500KV	16X12	50%	24.50	562.52	5174	2462	4.38	39.40
		60%	24.68	1024.91	6098	3444	3.36	40.00
		70%	24.69	1486.17	6813	4254	2.86	40.90
		80%	24.00	2009.04	7318	4942	2.46	41.70
		90%	23.75	2592.31	7732	6956	2.68	44.80
		100%	23.33	2855.01	8050	8610	3.02	48.50

Notes: The test condition of temperature is motor surface temperature in 100% throttle while the motor run 15 s.environment temperature 26°C